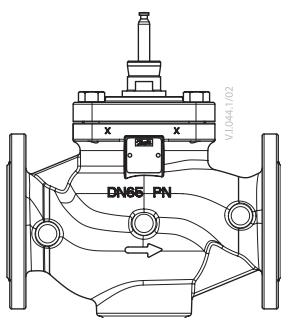


Operating Guide

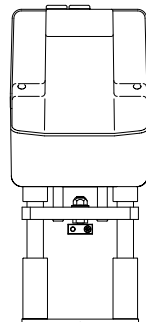
# VFM 2 DN 65-250 PN 16 & PN 25



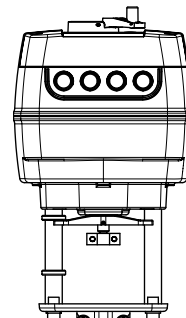
MAINTENANCE  
FREE



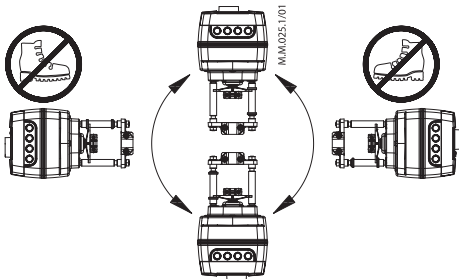
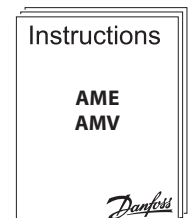
VFM 2  
(DN 65-250)



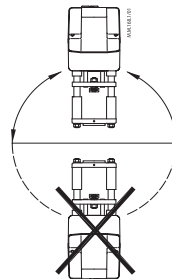
VFM 2 (DN 150-250) +  
AMV(E) 85, 86



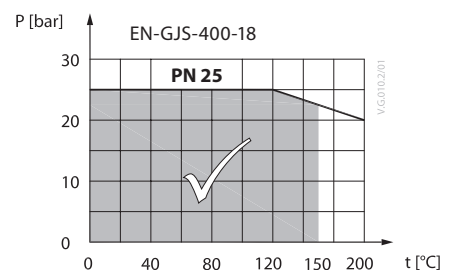
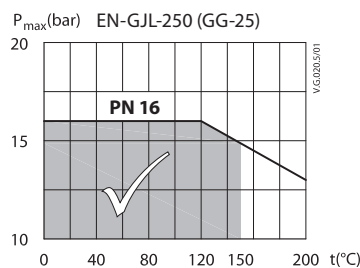
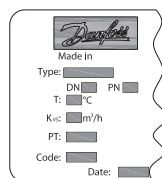
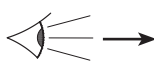
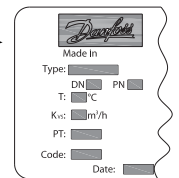
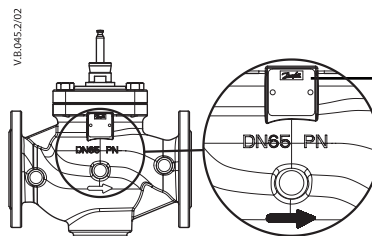
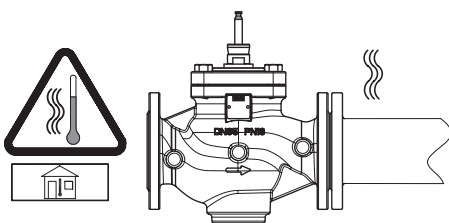
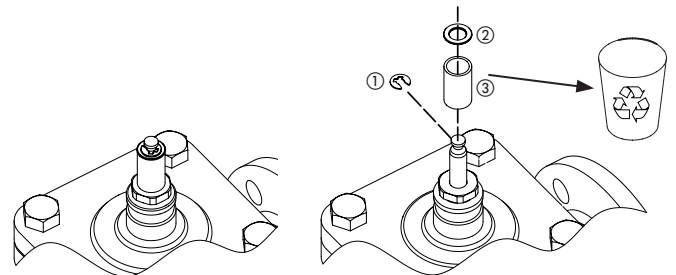
VFM 2 (DN 65-250) +  
AMV(E) 65x



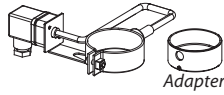
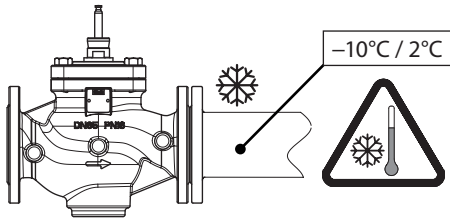
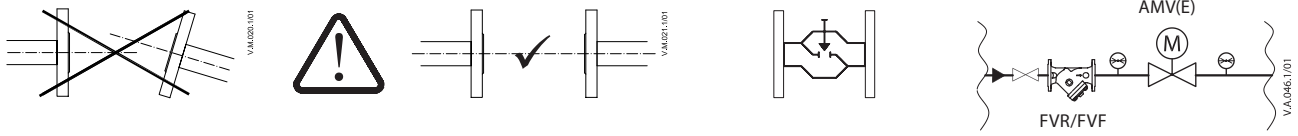
IP 54  
AMV(E) 65x



IP 54  
AMV(E) 85, 86

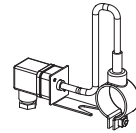


VFM 2



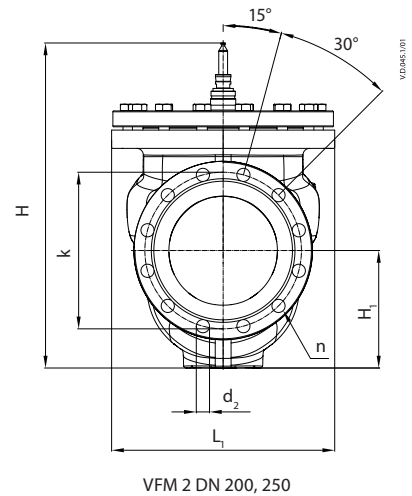
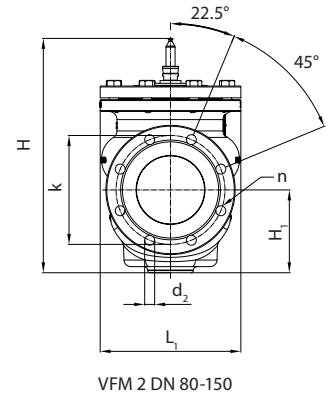
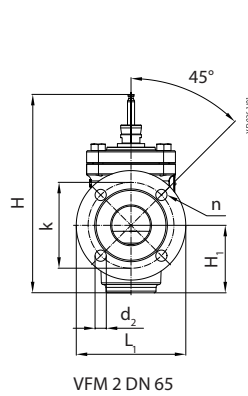
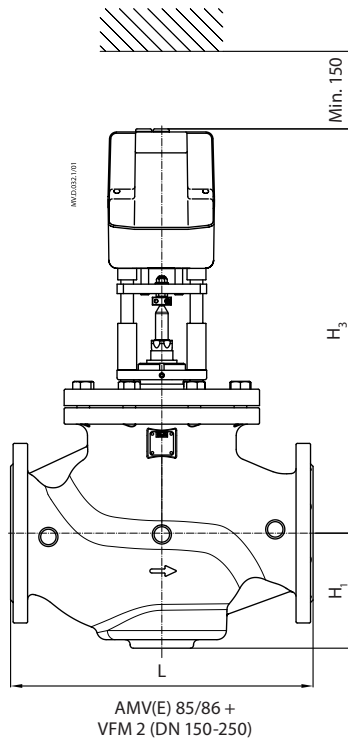
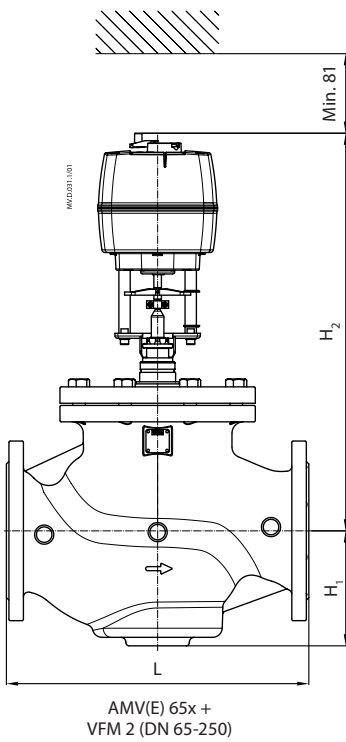
Stem heater **065Z7022**

DN	Actuators
65-125	AMV(E) 65X + adapter
150-250	AMV(E) 65X



Stem heater **065Z7021**

DN	Actuators
150-250	AMV(E) 85/86



Type	DN	PN 16							PN 25							PN 16 & PN 25		
		L	L1	H	k	d2	n	Weight (kg)	L	L1	H	k	d2	n	Weight (kg)	H1	H2	H3
		mm							mm							mm		
VFM 2	65	290	185	336	145	19	4	25	290	185	336	145	19	8	23.5	114	493.5	-
	80	310	200	336	160	19	8	33	310	200	336	160	19	8	27	114	494.5	-
	100	350	242	414	180	19	8	48	350	242	414	190	23	8	46	148	528.5	-
	125	400	250	416	210	19	8	57	400	270	416	220	28	8	56	149	529.5	-
	150	480	310	516	240	22	8	101	480	320	516	250	28	8	102	182.5	628.5	639
	200	600	385	669	295	23	12	208	600	385	669	310	28	12	197	245	686	685
	250	730	500	728	355	26	12	348	730	500	728	370	31	12	334	267	732	732

Danfoss can accept no responsibility for possible errors in catalogues, brochures and other printed material. Danfoss reserves the right to alter its products without notice. This also applies to products already on order provided that such alterations can be made without subsequent changes being necessary in specifications already agreed. All trademarks in this material are property of the respective companies. Danfoss and the Danfoss logotype are trademarks of Danfoss A/S. All rights reserved.